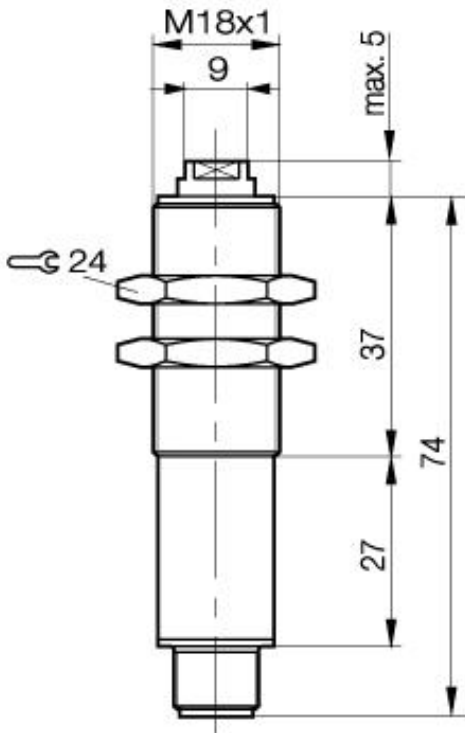


**Photoelectric Sensor  
BLS 18M-XX-1LT-S 4-C  
Sn=50000mm  
Laser-through-beam**



PX1156

**Common Data**

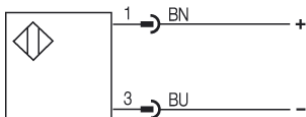
Series	18M
Sensortype	Laser-through-beam
Rated operating distance Sn in mm	50000
asured operating distance Sa	50000
Ambient temperature	-10...+50°C
Light class 2	Laser, red, 660nm, Protection

**Mechanical Data**

Measurements	M18x74
Shock	Halfsinus, 30gn, 11ms
Vibration	10...55Hz, 1,5mm Amplitude 3x2h
Housing material	nickel plated brass
Material of sensing face	Glass
Degree of protection	IP65
Connection	Connector S4 (M12)

**Electrical Data**

Current	DC
Rated operational voltage Ue	24V DC
Supply Voltage	10...30V DC
Ripple	< 10% from UB
Frequency of Supply Voltage	DC
Protected against polarity reversal	yes
Rated insulation voltage	250V AC



Utilization categories  
Insulation class

Datasheet number:

Definitions see general catalog.  
If not otherwise noted, ratings according to  
IEC 60947-5-2 (DIN EN60947-5-2)

Balluff GmbH  
Schurwaldstrasse 9  
73765 Neuhausen a.d.F.  
Phone (07158) 173-0 Fax (07158) 5010

Datenblatt by CD-ROM - 04/2007

**BALLUFF**  
sensors worldwide